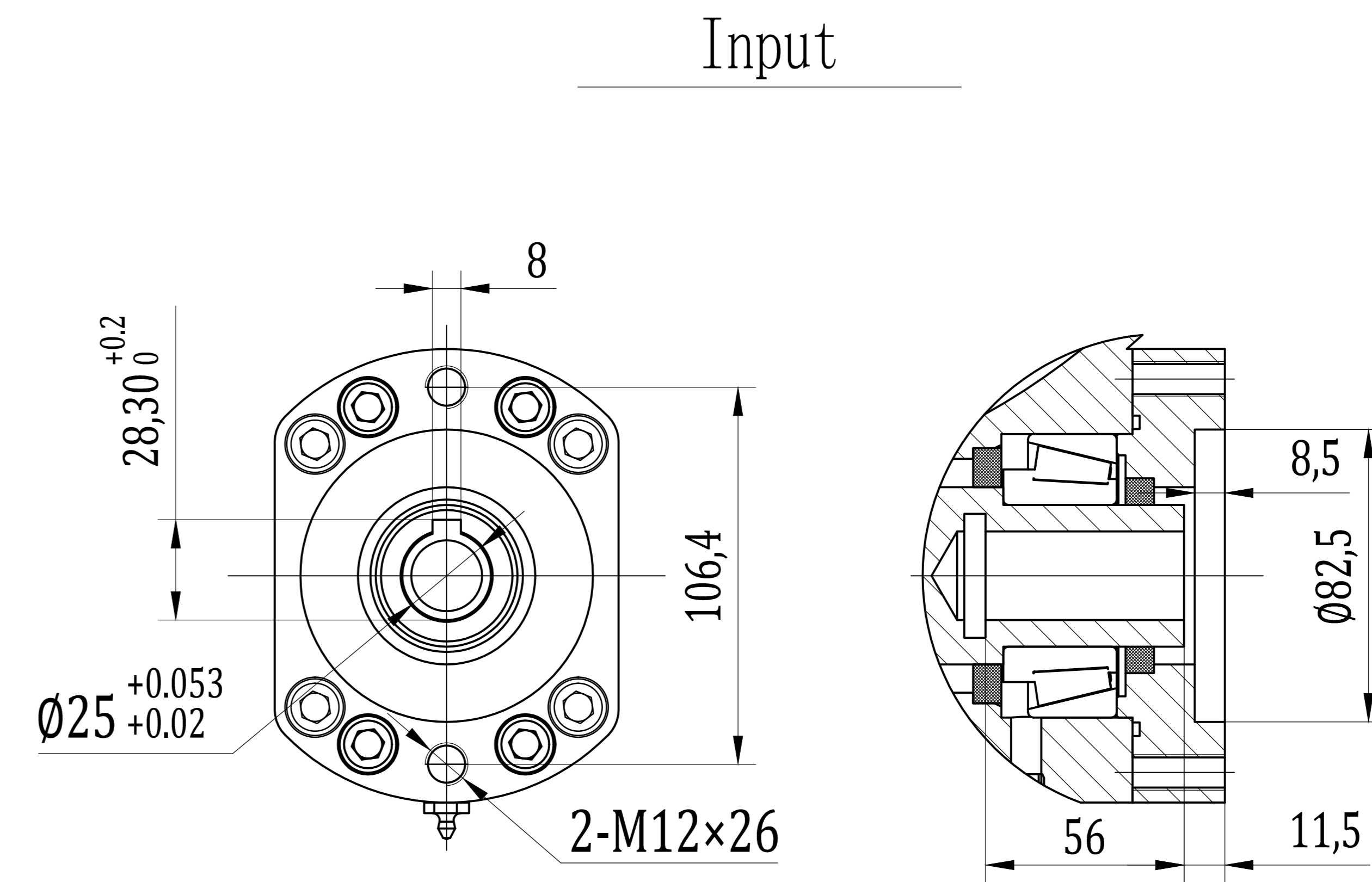
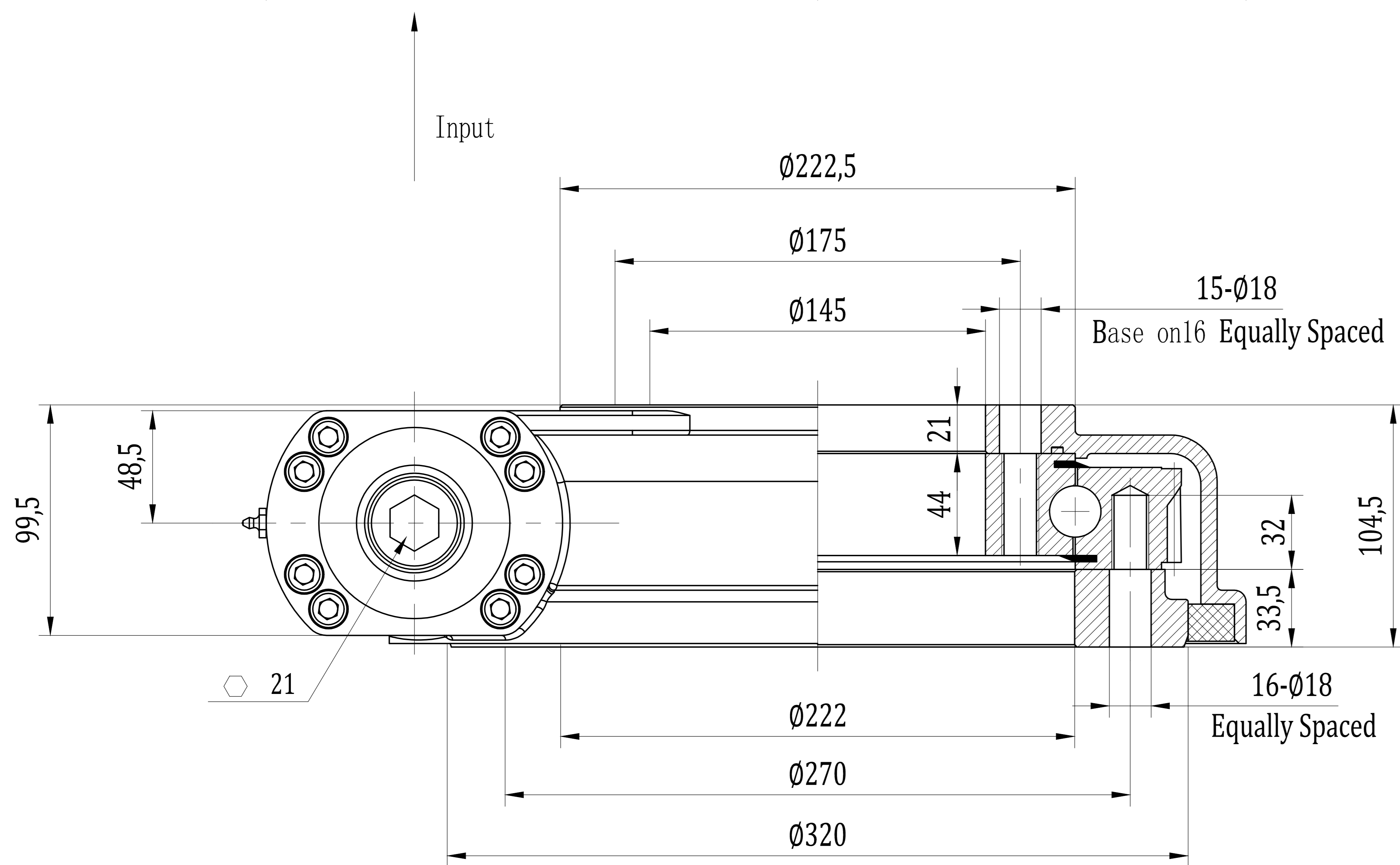
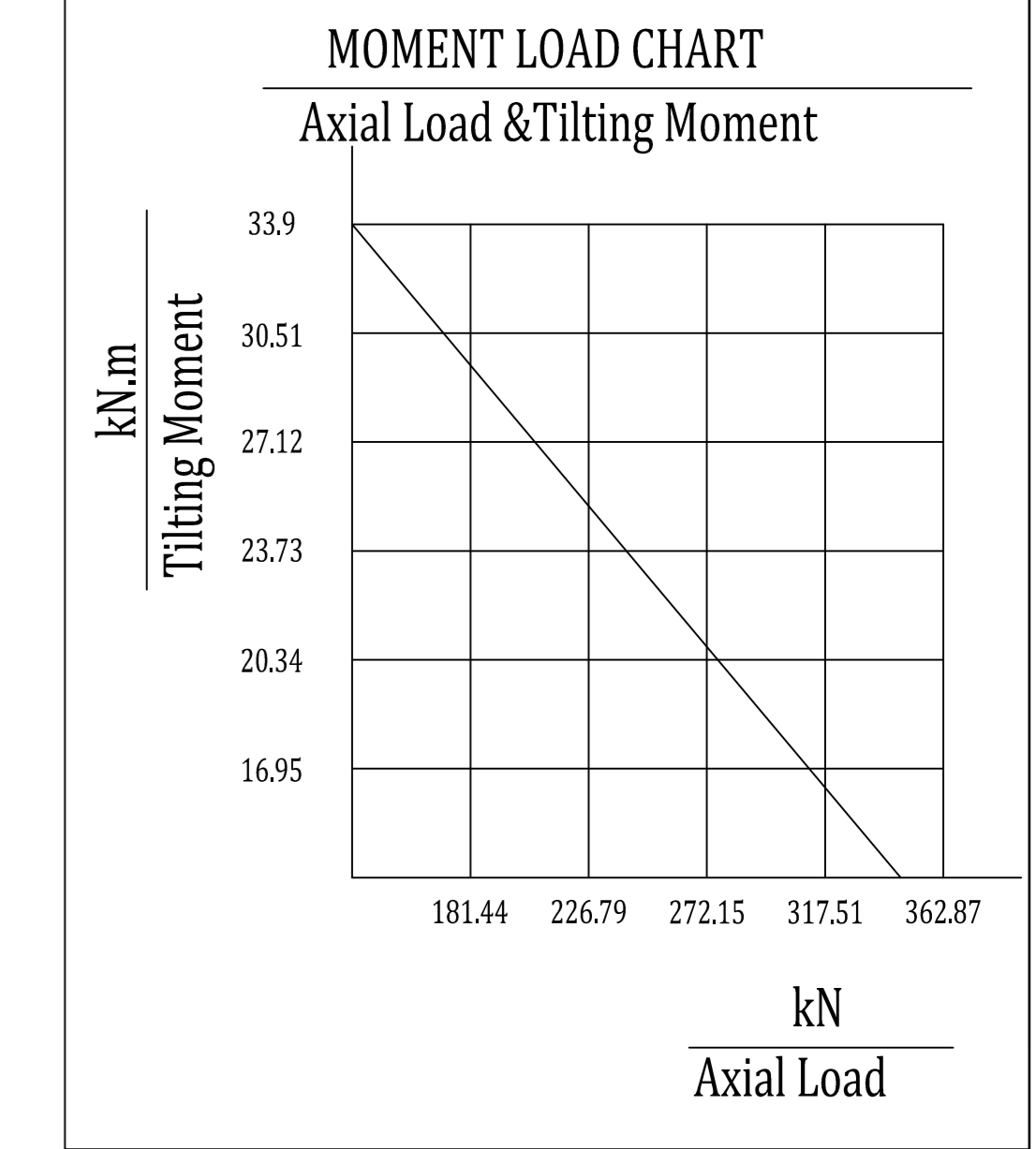


Slewing Drive Performance Parameters		
Rated Output Speed (max)	<3 rpm	
Output Torque (max)	12.2kN.m	9×10 ³ lbf.ft
Tilting Moment	33.9 kN.m	25×10 ³ lbf.ft
Holding Torque	38.7 kN.m	29×10 ³ lbf.ft
Static Axial Load Rating	338 kN	76×10 ³ lbf
Static Radial Load Rating	135 kN	30×10 ³ lbf
Gear Ratio	61:1	
Precision	≤0.17°	



REV	DATE	REVISER	REVISER		
DESIGNED BY	2019/8/1	Li Ming	www.coresundrive.com sun Drive Equipment Changzhou Co., Ltd.		
CHECKED BY	2019/8/1	Rui Wang			
APPROVED BY	2019/8/1	Shane Zhang			
ALL PROPRIETARY RIGHTS IN THE SUBJECT MATTER HERE OF ARE RESERVED, AND NO PERMISSION IS GRANTED OR TO DISCLOSE REPRODUCE THIS PRINT IN WHOLE OR IN PART, ANY OF THE INFORMATION TO OTHERS.			WEIGHT	SCALE	<h2>Slewing Drive</h2>
			56kg	1 : 3	
SYMBOLE ISO			SIZE	A3	
			SHEET	1 / 1	SC9-61-25RH
					REV A